

# Haier

## Submittals

### Forward Series

Rev. Jan. 2017



**HSU09VHJ(DB)-G / HSU09VHJ(DB)-W**

**HSU12VHJ(DB)-G / HSU12VHJ(DB)-W**

**HSU18VHJ(DB)-G / HSU18VHJ(DB)-W**

**HSU24VHJ(DB)-G / HSU24VHJ(DB)-W**

**HaierAmerica**

1800 Valley Road  
Wayne, NJ 07470  
Tel +973.617.1800  
[www.Haier.com](http://www.Haier.com)

## *Revision History*

<p><b>Rev. Jan. 2017</b> - <i>Submittal edition release.</i></p>
--

# Haier Forward Series Submittal

9,000 BTU/HR WALL MOUNT HEAT PUMP SYSTEM

HSU09VHJ(DB)-G / HSU09VHJ(DB)-W

Job Name: \_\_\_\_\_

Purchaser: \_\_\_\_\_

Submitted To: \_\_\_\_\_

Construction: \_\_\_\_\_

Reference: \_\_\_\_\_

Approval: \_\_\_\_\_

Date: \_\_\_\_\_

Submitted By: \_\_\_\_\_

Unit: \_\_\_\_\_

Drawing #: \_\_\_\_\_



## Accessories

### Remote Controller

Ships with YL-H47

### Electrical Requirement

Power Supply	208/230V, 1 Phase, 60 HZ
Operating Voltage Range	187~253 VAC
Recommended Fuse/Breaker Size	15A
MCA	15A

### Operating Range

Cooling	64~109°F (18~43°C)
Heating	5~75°F (-15~24°C)

### Cooling Performance

Rated Cooling Capacity	9,000 BTU
Cooling Capacity Range	3,000~11,000 BTU
Rated Power input	690 W
SEER	16.8
EER	13

### Heating Performance

Rated Heating Capacity	9,500 BTU
Heating Capacity Range	3,000~12,000 BTU
HSPF	9.5

### Pipe Length

Maximum Pipe Length	50 ft
Maximum Pipe Height Difference	33 ft
Connection	1/4"(Discharge) 3/8"(Suction) Flare

HaierAmerica

1800 Valley Road  
Wayne, NJ 07470  
Tel +973.617.1800  
www.Haier.com

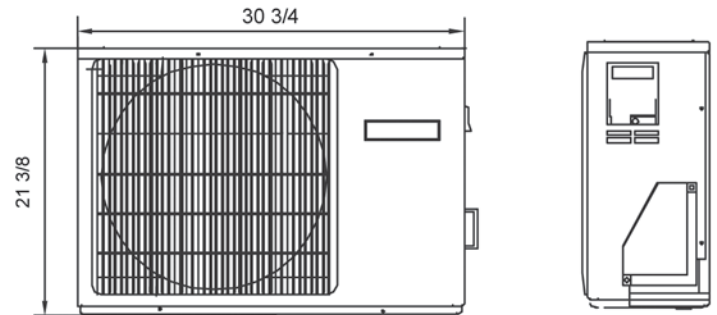
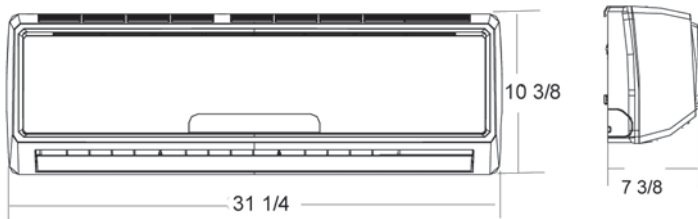
# Haier Forward Series Submittal

## 9,000 BTU/HR WALL MOUNT HEAT PUMP SYSTEM

### HSU09VHJ(DB)-G / HSU09VHJ(DB)-W

Indoor Unit	
Uncrated Dimension (HxWxD)	10 3/8 x 31 1/4 x 7 3/8 in (265 x 795 x 187 mm)
Crated (HxWxD)	13 x 34 x 10 7/8 in (331 x 863 x 275 mm)
Airflow CFM (High/Med/Low)	295/235/175
Indoor Sound Level dB (High/Med/Low)	41/37/33
Heat Exchanger Fin Type	Blue Fin
Weight	24.3/20.7 lbs

Outdoor Unit	
Compressor	DC inverter Driven Rotary
Uncrated Dimension (HxWxD)	21 1/4 x 30 3/4 x 9 5/8 in (540 x 780 x 245 mm)
Crated (HxWxD)	24 1/8 x 36 5/8 x 13 3/8 in (614 x 930 x 340 mm)
Outdoor Sound Rating dB	55
Heat Exchanger Fin Type	Blue Fin
Weight	77.2/71.0 lbs
Factory Refrigerant Charge	R-410A (33.5 oz)



## Heating Capacity Data

Outdoor Air Temp DB	Indoor Set Temperature					
	60°F (16°C)		70°F (21°C)		77°F (25°C)	
	Maximum Heating Capacity (Btu/h)	Power Usage (w)	Max Heating Capacity (Btu/h)	Power Usage (w)	Max Heating Capacity (Btu/h)	Power Usage (w)
5°F (-15°C)	7,200	690	6,270	740	5,870	810
17°F (-8°C)	8,300	710	7,590	700	7,000	850
47°F (8°C)	11,480	820	10,700	900	9,700	980

Capacity and power usage are measured under the assumption of indoor humidity of 46%

## Cooling Capacity Data

Outdoor Air Temp DB	Indoor Set Temperature					
	70°F (21°C)		75°F (24°C)		80°F (27°C)	
	Total Capacity (Btu/h)	Power Usage (w)	Total Capacity (Btu/h)	Power Usage (w)	Total Capacity (Btu/h)	Power Usage (w)
65°F (18°C)	11,360	740	11,700	740	11,920	760
75°F (24°C)	10,750	770	11,070	770	11,280	790
85°F (29°C)	10,300	780	10,960	810	11,290	830
95°F (35°C)	8,970	820	9,470	860	9,770	870
105°F (41°C)	8,470	880	8,970	910	9,270	920
115°F (46°C)	5,860	430	6,480	490	6,630	490

Capacity and power usage are measured under the assumption of indoor humidity of 46%

# Haier Forward Series Submittal

12,000 BTU/HR WALL MOUNT HEAT PUMP SYSTEM

HSU12VHJ(DB)-G / HSU12VHJ(DB)-W

Job Name: \_\_\_\_\_

Purchaser: \_\_\_\_\_

Submitted To: \_\_\_\_\_

Construction: \_\_\_\_\_

Reference: \_\_\_\_\_

Approval: \_\_\_\_\_

Date: \_\_\_\_\_

Submitted By: \_\_\_\_\_

Unit: \_\_\_\_\_

Drawing #: \_\_\_\_\_



## Accessories

### Remote Controller

Ships with YL-H47

### Electrical Requirement

Power Supply	208/230V, 1 Phase, 60 HZ
Operating Voltage Range	187~253 VAC
Recommended Fuse/Breaker Size	15A
MCA	15A

### Operating Range

Cooling	64~109°F (18~43°C)
Heating	5~75°F (-15~24°C)

### Cooling Performance

Rated Cooling Capacity	12,000 BTU
Cooling Capacity Range	5,000~14,000 BTU
Rated Power input	1090 W
SEER	17.0
EER	11

### Heating Performance

Rated Heating Capacity	13,400 BTU
Heating Capacity Range	4,600~14,000 BTU
HSPF	9.0

### Pipe Length

Maximum Pipe Length	50 ft
Maximum Pipe Height Difference	33 ft
Connection	1/4"(Discharge) 3/8"(Suction) Flare

HaierAmerica

1800 Valley Road  
Wayne, NJ 07470  
Tel +973.617.1800  
www.Haier.com

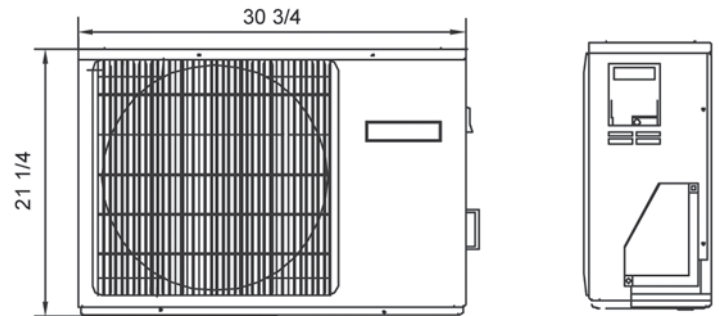
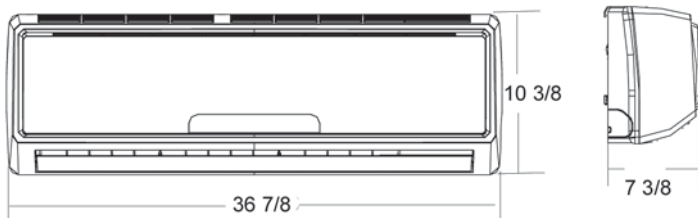
# Haier Forward Series Submittal

## 12,000 BTU/HR WALL MOUNT HEAT PUMP SYSTEM

### HSU12VHJ(DB)-G / HSU12VHJ(DB)-W

Indoor Unit	
Uncrated Dimension (HxWxD)	10 3/8 x 36 7/8 x 7 3/8 in (265 x 938 x 187 mm)
Crated (HxWxD)	13 x 39 7/8 x 10 7/8 in (331 x 1013 x 277 mm)
Airflow CFM (High/Med/Low)	370/290/210
Indoor Sound Level dB (High/Med/Low)	46/43/49
Heat Exchanger Fin Type	Blue Fin
Weight	27.8/24.0 lbs

Outdoor Unit	
Compressor	DC inverter Driven Rotary
Uncrated Dimension (HxWxD)	21 1/4 x 30 3/4 x 9 5/8 in (540 x 780 x 245 mm)
Crated (HxWxD)	24 1/8 x 36 5/8 x 13 3/8 in (614 x 930 x 340 mm)
Outdoor Sound Rating dB	54
Heat Exchanger Fin Type	Blue Fin
Weight	75.6/68.6 lbs
Factory Refrigerant Charge	R-410A (35.27 oz)



## Heating Capacity Data

Outdoor Air Temp DB	Indoor Set Temperature					
	60°F (16°C)		70°F (21°C)		77°F (25°C)	
	Maximum Heating Capacity (Btu/h)	Power Usage (w)	Max Heating Capacity (Btu/h)	Power Usage (w)	Max Heating Capacity (Btu/h)	Power Usage (w)
5°F (-15°C)	10,160	1,070	8,840	1,150	8,280	1,260
17°F (-8°C)	11,710	1,100	10,710	1,090	9,880	1,310
47°F (8°C)	16,200	1,260	15,090	1,390	13,680	1,520

Capacity and power usage are measured under the assumption of indoor humidity of 46%

## Cooling Capacity Data

Outdoor Air Temp DB	Indoor Set Temperature					
	70°F (21°C)		75°F (24°C)		80°F (27°C)	
	Total Capacity (Btu/h)	Power Usage (w)	Total Capacity (Btu/h)	Power Usage (w)	Total Capacity (Btu/h)	Power Usage (w)
65°F (18°C)	15,150	1,170	15,600	1,170	15,900	1,190
75°F (24°C)	14,340	1,210	14,760	1,210	15,040	1,240
85°F (29°C)	13,730	1,240	14,610	1,280	15,060	1,310
95°F (35°C)	11,960	1,300	12,620	1,360	13,020	1,380
105°F (41°C)	11,290	1,390	11,960	1,440	12,360	1,450
115°F (46°C)	7,820	670	8,640	770	8,850	770

Capacity and power usage are measured under the assumption of indoor humidity of 46%

# Haier Forward Series Submittal

18,000 BTU/HR WALL MOUNT HEAT PUMP SYSTEM

HSU18VHJ(DB)-G / HSU18VHJ(DB)-W

Job Name: \_\_\_\_\_

Purchaser: \_\_\_\_\_

Submitted To: \_\_\_\_\_

Construction: \_\_\_\_\_

Reference: \_\_\_\_\_

Approval: \_\_\_\_\_

Date: \_\_\_\_\_

Submitted By: \_\_\_\_\_

Unit: \_\_\_\_\_

Drawing #: \_\_\_\_\_



## Accessories

### Remote Controller

Ships with YL-H47

### Electrical Requirement

Power Supply	208/230V, 1 Phase, 60 HZ
Operating Voltage Range	187~253 VAC
Recommended Fuse/Breaker Size	20A
MCA	15A

### Operating Range

Cooling	64~109°F (18~43°C)
Heating	5~75°F (-15~24°C)

### Cooling Performance

Rated Cooling Capacity	18,000 BTU
Cooling Capacity Range	7,500~20,000 BTU
Rated Power input	1640 W
SEER	17.0
EER	11

### Heating Performance

Rated Heating Capacity	16,400 BTU
Heating Capacity Range	6,600~21,000 BTU
HSPF	9.0

### Pipe Length

Maximum Pipe Length	50 ft
Maximum Pipe Height Difference	33 ft
Connection	1/4"(Discharge) 1/2"(Suction) Flare

HaierAmerica

1800 Valley Road  
Wayne, NJ 07470  
Tel +973.617.1800  
www.Haier.com

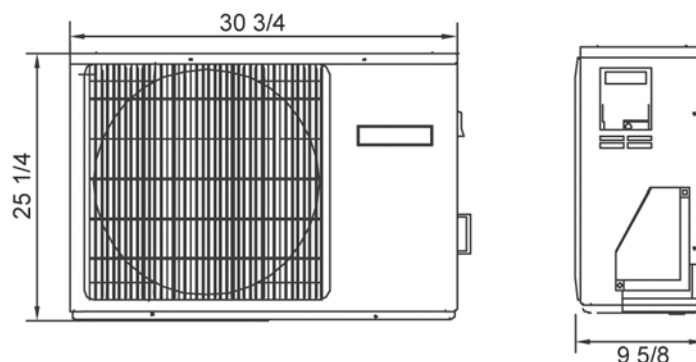
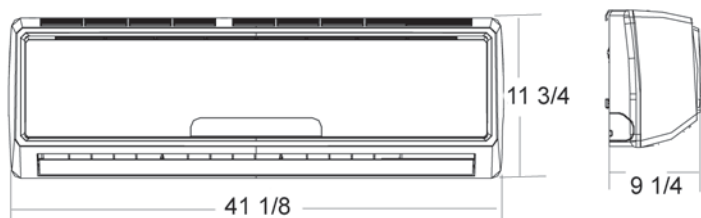
# Haier Forward Series Submittal

## 18,000 BTU/HR WALL MOUNT HEAT PUMP SYSTEM

### HSU18VHJ(DB)-G / HSU18VHJ(DB)-W

Indoor Unit	
Uncrated Dimension (HxWxD)	11 3/4 x 41 1/8 x 9 1/4 in (299 x 1046 x 234 mm)
Crated (HxWxD)	15 1/4 x 44 3/8 x 13 1/2 in (388 x 1126 x 344 mm)
Airflow CFM (High/Med/Low)	520/420/320
Indoor Sound Level dB (High/Med/Low)	46/43/40
Heat Exchanger Fin Type	Blue Fin
Weight	35.3/28.7 lbs

Outdoor Unit	
Compressor	DC inverter Driven Rotary
Uncrated Dimension (HxWxD)	25 1/4 x 30 3/4 x 9 5/8 in (640 x 780 x 245 mm)
Crated (HxWxD)	28 1/8 x 36 5/8 x 13 3/8 in (714 x 930 x 340 mm)
Outdoor Sound Rating dB	53
Heat Exchanger Fin Type	Blue Fin
Weight	79.4/71.7 lbs
Factory Refrigerant Charge	R-410A (42.33 oz)



## Heating Capacity Data

Outdoor Air Temp DB	Indoor Set Temperature					
	60°F (16°C)		70°F (21°C)		77°F (25°C)	
	Maximum Heating Capacity (Btu/h)	Power Usage (w)	Max Heating Capacity (Btu/h)	Power Usage (w)	Max Heating Capacity (Btu/h)	Power Usage (w)
5°F (-15°C)	12,440	1,480	10,830	1,600	10,130	1,740
17°F (-8°C)	14,340	1,520	13,110	1,510	12,090	1,820
47°F (8°C)	19,830	1,750	18,470	1,930	16,750	2,110

Capacity and power usage are measured under the assumption of indoor humidity of 46%

## Cooling Capacity Data

Outdoor Air Temp DB	Indoor Set Temperature					
	70°F (21°C)		75°F (24°C)		80°F (27°C)	
	Total Capacity (Btu/h)	Power Usage (w)	Total Capacity (Btu/h)	Power Usage (w)	Total Capacity (Btu/h)	Power Usage (w)
65°F (18°C)	22,730	1,760	23,400	1,760	23,840	1,800
75°F (24°C)	21,510	1,820	22,140	1,820	22,560	1,870
85°F (29°C)	20,590	1,860	21,920	1,930	22,580	1,970
95°F (35°C)	17,940	1,950	18,930	2,040	19,530	2,080
105°F (41°C)	16,940	2,090	17,940	2,160	18,530	2,180
115°F (46°C)	11,730	1,010	12,960	1,150	13,270	1,160

Capacity and power usage are measured under the assumption of indoor humidity of 46%



# Haier Forward Series Submittal

24,000 BTU/HR WALL MOUNT HEAT PUMP SYSTEM

HSU24VHJ(DB)-G / HSU24VHJ(DB)-W

Job Name: \_\_\_\_\_

Purchaser: \_\_\_\_\_

Submitted To: \_\_\_\_\_

Construction: \_\_\_\_\_

Reference: \_\_\_\_\_

Approval: \_\_\_\_\_

Date: \_\_\_\_\_

Submitted By: \_\_\_\_\_

Unit: \_\_\_\_\_

Drawing #: \_\_\_\_\_



## Accessories

### Remote Controller

Ships with YL-H47

### Electrical Requirement

Power Supply	208/230V, 1 Phase, 60 HZ
Operating Voltage Range	187~253 VAC
Recommended Fuse/Breaker Size	30A
MCA	15A

### Operating Range

Cooling	64~109°F (18~43°C)
Heating	5~75°F (-15~24°C)

### Cooling Performance

Rated Cooling Capacity	22,000 BTU
Cooling Capacity Range	7,500~23,000 BTU
Rated Power input	2250 W
SEER	16.0
EER	9.8

### Heating Performance

Rated Heating Capacity	23,000 BTU
Heating Capacity Range	7,500~24,000 BTU
HSPF	9.0

### Pipe Length

Maximum Pipe Length	83.3 ft
Maximum Pipe Height Difference	50 ft
Connection	3/8" (Discharge) 5/8" (Suction) Flare

HaierAmerica

1800 Valley Road  
Wayne, NJ 07470  
Tel +973.617.1800  
www.Haier.com

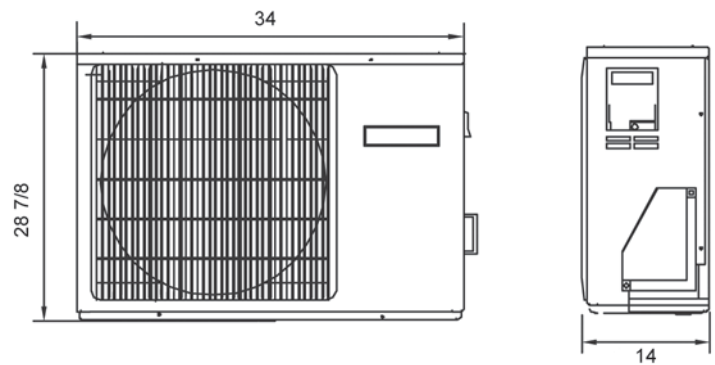
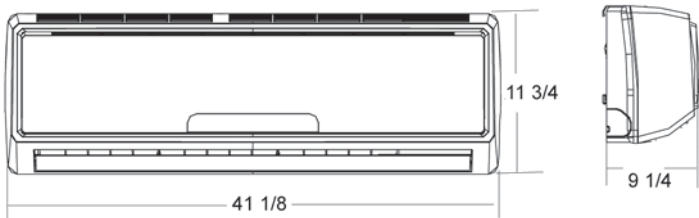
# Haier Forward Series Submittal

## 24,000 BTU/HR WALL MOUNT HEAT PUMP SYSTEM

### HSU24VHJ(DB)-G / HSU24VHJ(DB)-W

Indoor Unit	
Uncrated Dimension (HxWxD)	11 3/4 x 41 1/8 x 9 1/4 in (299 x 1046 x 234 mm)
Crated (HxWxD)	15 1/4 x 44 3/8 x 13 1/2 in (388 x 1126 x 344 mm)
Airflow CFM (High/Med/Low)	640/520/410
Indoor Sound Level dB (High/Med/Low)	50/47/45
Heat Exchanger Fin Type	Blue Fin
Weight	36.4/28.7 lbs

Outdoor Unit	
Compressor	DC inverter Driven Rotary
Uncrated Dimension (HxWxD)	28 7/8 x 34 x 14 in (732 x 865 x 355 mm)
Crated (HxWxD)	32 1/8 x 39 1/8 x 16 1/2 in (815 x 995 x 420 mm)
Outdoor Sound Rating dB	61
Heat Exchanger Fin Type	Blue Fin
Weight	108.0/99.2 lbs
Factory Refrigerant Charge	R-410A (56.32 oz)



### Heating Capacity Data

Outdoor Air Temp DB	Indoor Set Temperature					
	60°F (16°C)		70°F (21°C)		77°F (25°C)	
	Maximum Heating Capacity (Btu/h)	Power Usage (w)	Max Heating Capacity (Btu/h)	Power Usage (w)	Max Heating Capacity (Btu/h)	Power Usage (w)
5°F (-15°C)	17,440	1,980	15,180	2,130	14,210	2,330
17°F (-8°C)	20,110	2,030	18,380	2,010	16,960	2,420
47°F (8°C)	27,810	2,340	25,900	2,570	23,490	2,810

Capacity and power usage are measured under the assumption of indoor humidity of 46%

### Cooling Capacity Data

Outdoor Air Temp DB	Indoor Set Temperature					
	70°F (21°C)		75°F (24°C)		80°F (27°C)	
	Total Capacity (Btu/h)	Power Usage (w)	Total Capacity (Btu/h)	Power Usage (w)	Total Capacity (Btu/h)	Power Usage (w)
65°F (18°C)	27,780	2,410	28,600	2,410	29,140	2,460
75°F (24°C)	26,290	2,500	27,060	2,500	27,580	2,560
85°F (29°C)	25,170	2,550	26,790	2,650	27,600	2,710
95°F (35°C)	21,920	2,680	23,140	2,800	23,870	2,850
105°F (41°C)	20,700	2,860	21,920	2,960	22,650	2,990
115°F (46°C)	14,330	1,390	15,840	1,580	16,220	1,600

Capacity and power usage are measured under the assumption of indoor humidity of 46%